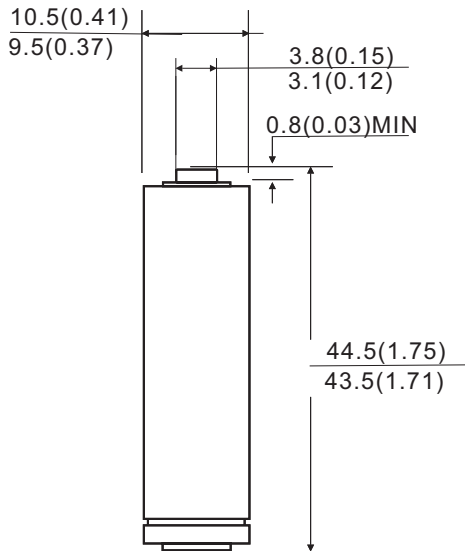


## LR03-Plus

## Plus Alkaline Battery



### Dimensions



Unit:mm(inch)

### Specifications

<b>Chemical System:</b>	Alkaline (Zn/MnO <sub>2</sub> ) Zinc-Manganese Dioxide
<b>IEC Name:</b>	LR03
<b>ANSI/NEDA:</b>	24A(AAA)
<b>Camelion Model:</b>	LR03-Plus
<b>Average Weight:</b>	11.8g
<b>Dimension(∅ x H):</b>	10.0 <sup>±0.5</sup> x 44.0 <sup>±0.5</sup> mm 0.40 <sup>±0.02</sup> x 1.73 <sup>±0.02</sup> inch
<b>Terminals:</b>	Flat
<b>Nominal Voltage:</b>	1.5Volts
<b>Capacity:</b>	1250mAh (Rated at 25mA to 0.8V)
<b>Operating Temperature:</b>	-18°C-55°C
<b>Storage Temperature:</b>	15°C-25°C
<b>Relative Humidity:</b>	60±15%
<b>Jacket :</b>	Aluminum Foil Label
<b>Guarantee:</b>	3 year(Temperature: 20±2°C, Relative Humidity: 60%±15%)

### Usage Guide



Radio



Toy



Remote Control

### Cautions

#### Storage

Store the battery in a cool, dry and well-ventilated area.

#### Handling

- (1) Never charge the battery. Do not heat or disposed in fire or water. Do not modify or disassemble the battery. Do not short-circuit positive (+) and negative (-) terminals. Keep away from metal or other conductive materials.
- (2) Keep away from infants. If infant happens to swallow the battery, consult a doctor immediately.
- (3) Do not mix use old batteries with new ones, or mix use batteries of different types or brands
- (4) In case the battery electrolyte happen to come into mouth, gargle well enough and consult a doctor immediately.

#### Notice:

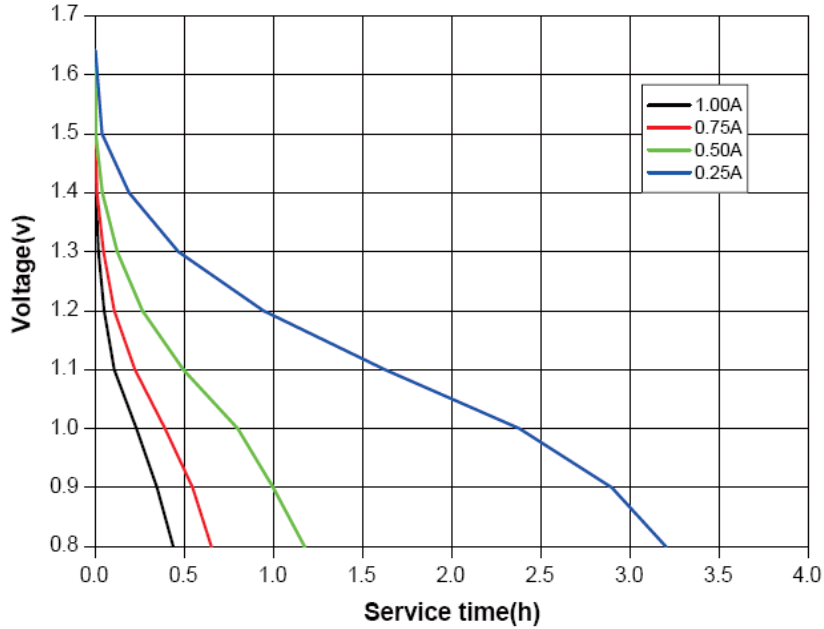
Environmental elements comply with RoHS requirements. This information is subject to change without prior notice and for reference only. It should not be used as a basis for a product guarantee or warranty. For additional information, please consult your nearest Camelion Sales Office or Distributor or visit our website at: [www.camelionbattery.com](http://www.camelionbattery.com).

**LR03-Plus**

**Plus Alkaline Battery**

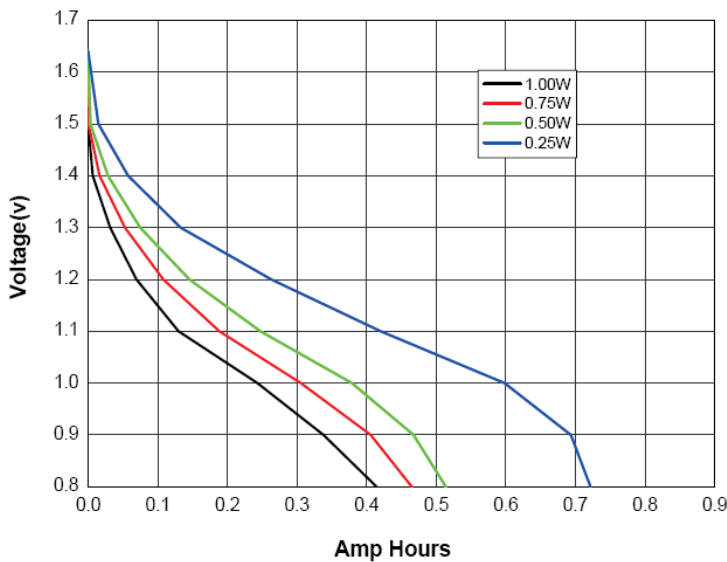
**Constant Current Discharge**

Typical Characteristics at 21°C



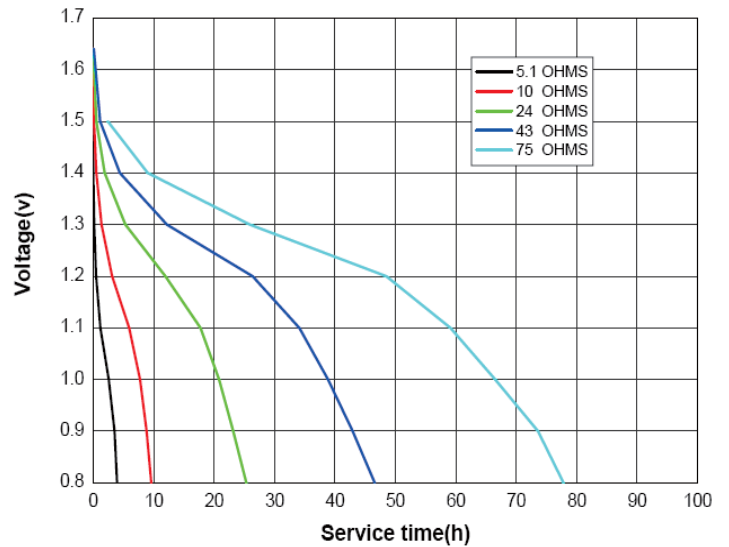
**Constant Rate Discharge**

Typical Characteristics at 21°C



**Constant Resistance Discharge**

Typical Characteristics at 21°C



Notice:

Environmental elements comply with RoHS requirements. This information is subject to change without prior notice and for reference only. It should not be used as a basis for a product guarantee or warranty. For additional information, please consult your nearest Camelion Sales Office or Distributor or visit our website at: [www.camelionbattery.com](http://www.camelionbattery.com).